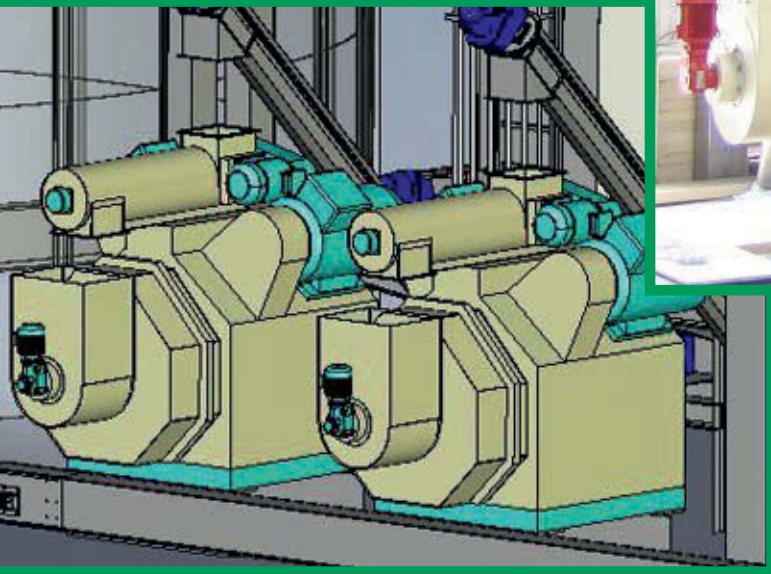
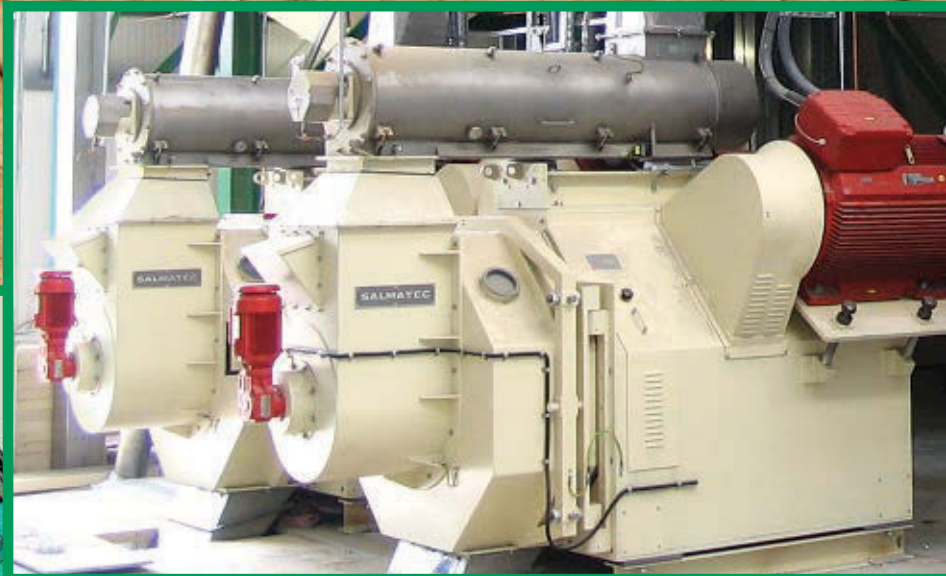


Pelleting machines for wood and other renewable biomasses



Planning, production
and service from
a single source, eg....



Pellet presses
from 500 to 5.000 kg/h
Pelleting units
from 10.000 to 200.000 t/y

SALMATEC
...we deliver solutions

SALMATEC- pelletizers for wood convince...

...with high safety standards:

- Temperature monitoring in access chamber: Continuous monitoring of access chamber working with forewarn and safety shut down on high temperatures.
- Slipping control of belt drive: Damage protection for V-belts in case of blockage or overload.
- Overload protection: Accurate overload release by preset overload elements against possible tramp material, short fault time by fast return and lock in place.
- ATEX 100a: Constructed for use in Ex-zone 22 II3D.
- Vibration sensors*: Monitoring and trouble release at inflated vibrations from eg. too wet/dry product, wrong adjusted roller gap, tramp material in working area of die or damaged roller/die.

...and their technical construction:

- 2-motors drive direct fitted on pelletizer housing: Even load on roller bearings, no separate station or support construction needed for main drive, compact design with single-step, service free V-belt drive with a high centrifugal mass to compensate peak loads.
- 3 roller system: Better load sharing for main and roller bearings.
- Roller bearing cooling system*: for lower working temperatures and higher bearing life time, by safety reasons separate from bearing greasing with safety monitoring.
- Forced feeder: Material feeding system for a higher output with better product distribution with a direct driven paddle shaft (paddler adjustable) against material feed jam in pelletize inlet.

* Optional extra

SALMATEC
we deliver solutions

SALMATEC

Pellet presses



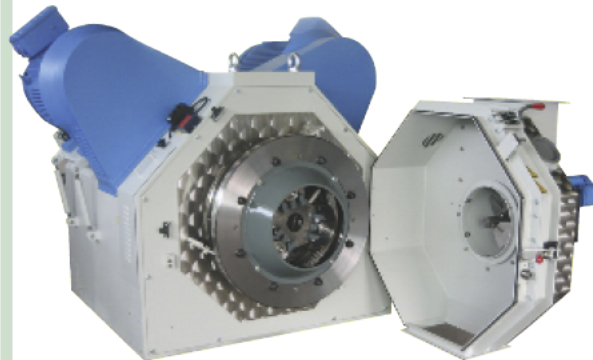
MAXIMA 450 eco

Output 500 to 1.000 kg/h
Main drive from 37 to 75 kW



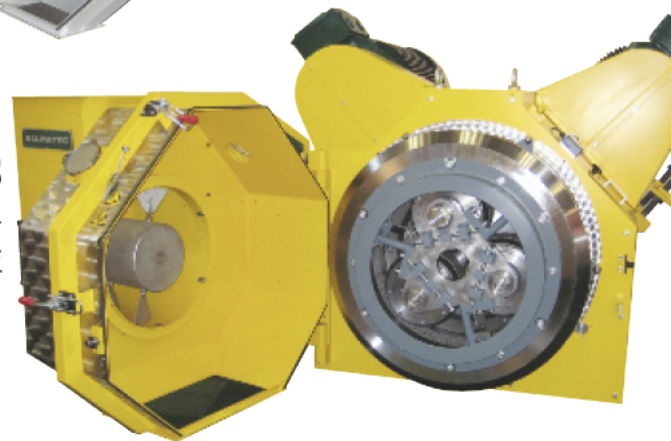
MAXIMA 500-100

Output 800 to 1.500 kg/h
Main drive from 90 to 150 kW



MAXIMA 620...700

Output 1.500 to 3.500 kg/h
Main drive from 150 to 220 kW



MAXIMA 840-125

Output 3.500 to 5.000 kg/h
Main drive from 264
to 320 kW

SALMATEC deliver complete pelleting units

- from dry material to ready pellets
- built with reliable components - always including the MAXIMA-pelletizers as its tough heart
- individually fitted to your requirement and material.

**SALMATEC - that's planning, production and service
from a single source.**



SALMATEC GMBH

Bahnhofstrasse 15 a · 21376 Salzhausen (Germany)
Fon +49. (0)41 72- 98 97-0 · Fax +49. (0)41 72- 13 94
info@salmatec.de · www.salmatec.de